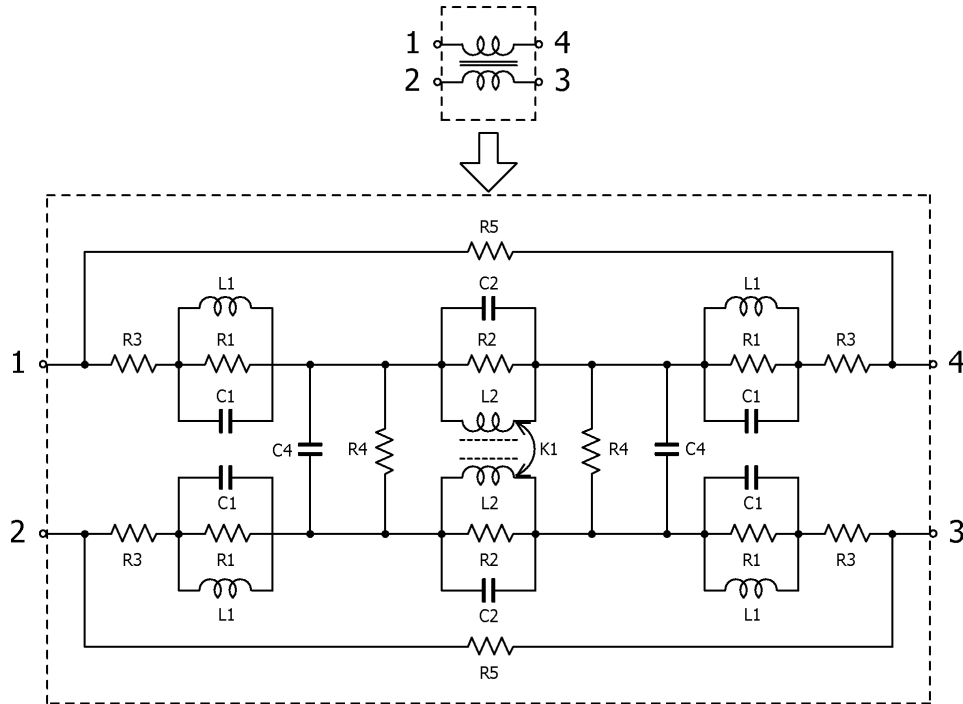


Common Mode Filters

Apr. 6, 2023
Simple Model

Commercial Grade for Signal Line (2 Lines) / ALC2012H series

Circuit Diagram



Circuit Parameters

Part No.	R1[ohm]	L1[nH]	C1[pF]	R2[ohm]	L2[nH]	C2[pF]	R3[ohm]	R4[Gohm]	C4[pF]	R5[Gohm]	K1
ALC2012H-900-2P-T10G	128	2.9	0.01	438	302	0.006	0.093	1	0.28	1	1.00000
ALC2012H-381-2P-T05G	83	2.6	0.01	1,730	914	0.012	0.151	1	0.86	1	1.00000