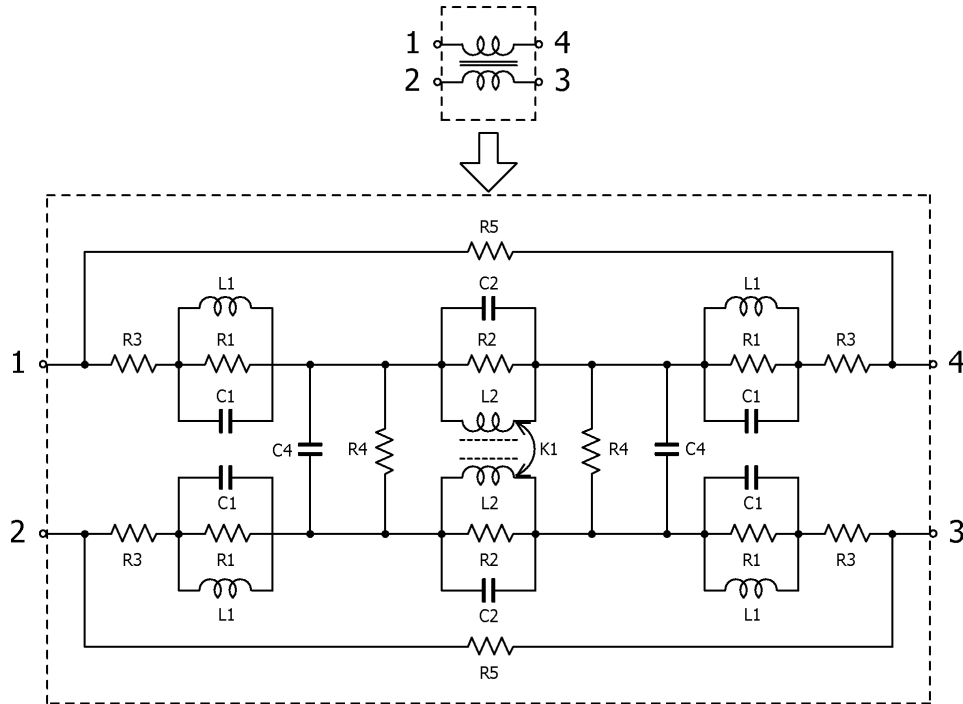


Signal Line Common Mode Chokes/Filters

May 23, 2024
Simple Model

Commercial Grade for Signal Line (2 Lines) / TCM0403M series

Circuit Diagram



Circuit Parameters

| Part No. | R1[ohm] | L1[nH] | C1[pF] | R2[ohm] | L2[nH] | C2[pF] | R3[ohm] | R4[Gohm] | C4[pF] | R5[Gohm] | K1 |
|----------------------|---------|--------|--------|---------|--------|--------|---------|----------|--------|----------|---------|
| TCM0403M-120-2P-T210 | 88 | 0.75 | 0.01 | 1,190 | 13.3 | 0.048 | 0.500 | 1 | 0.10 | 1 | 1.00000 |
| TCM0403M-350-2P-T210 | 232 | 2.2 | 0.01 | 2,520 | 39.6 | 0.048 | 1.000 | 1 | 0.14 | 1 | 1.00000 |
| TCM0403M-900-2P-T210 | 238 | 4.2 | 0.01 | 3,170 | 154 | 0.074 | 1.500 | 1 | 0.48 | 1 | 1.00000 |