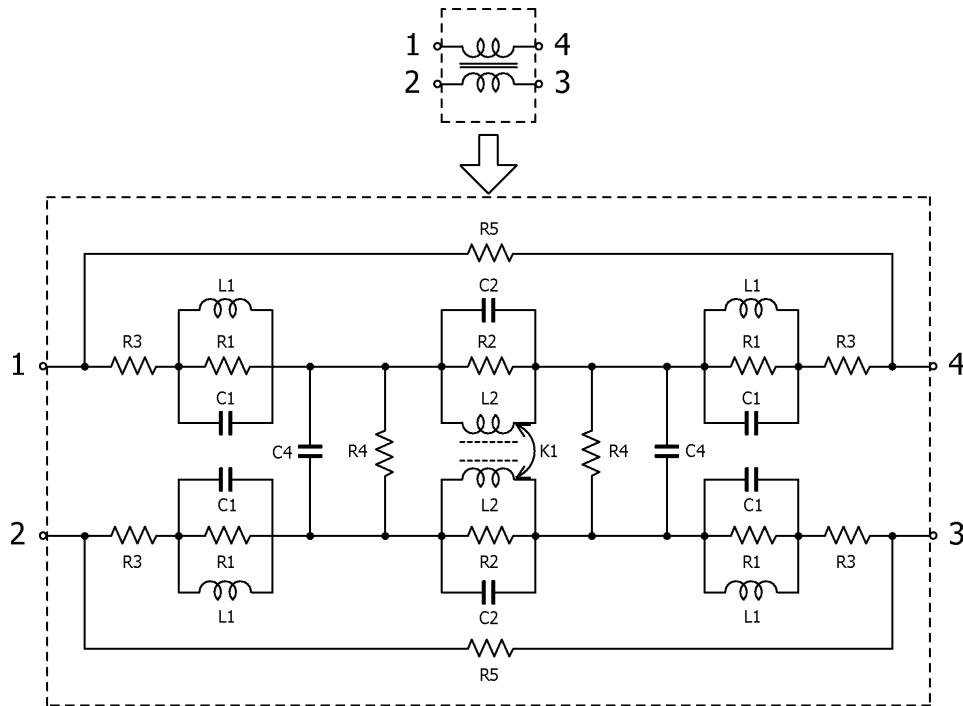


Common Mode Filters

Aug. 28, 2018
Simple Model

Commercial Grade for Signal Line (2 Lines) / TCM0403S series

Circuit Diagram



Circuit Parameters

Part No.	R1[ohm]	L1[nH]	C1[pF]	R2[ohm]	L2[nH]	C2[pF]	R3[ohm]	R4[Gohm]	C4[pF]	R5[Gohm]	K1
TCM0403S-350-2P-T210	69	2.1	0.01	2,510	51.1	0.061	1.841	1	0.35	1	1.00000