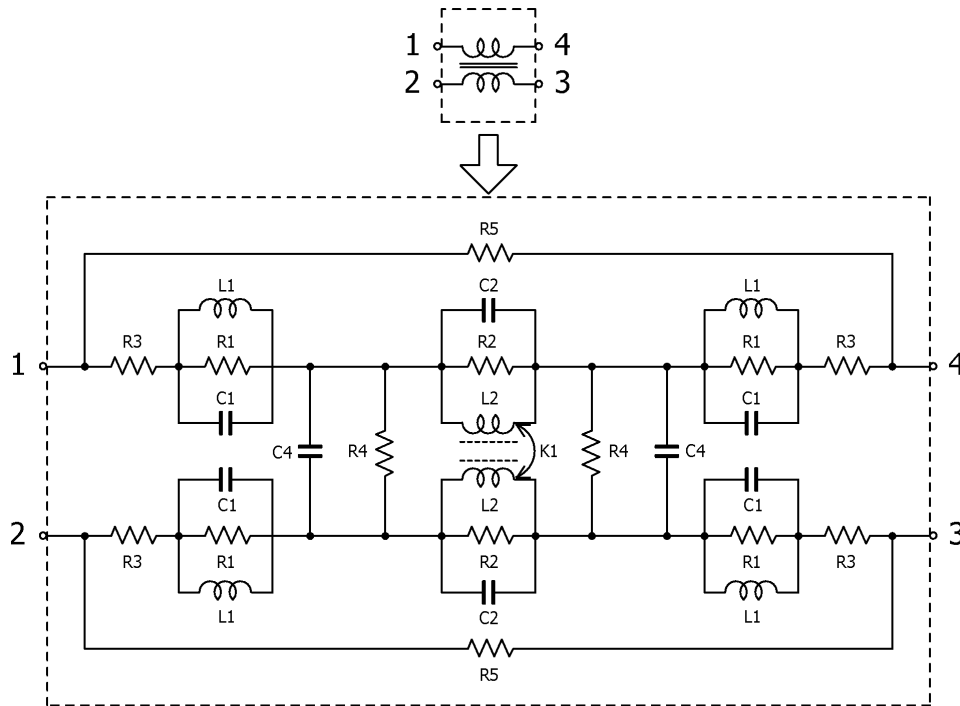


Signal Line Common Mode Chokes/Filters

May 23, 2024
Simple Model

Commercial Grade for Signal Line (2 Lines) / TCM0605S series

Circuit Diagram



Circuit Parameters

Part No.	R1[ohm]	L1[nH]	C1[pF]	R2[ohm]	L2[nH]	C2[pF]	R3[ohm]	R4[Gohm]	C4[pF]	R5[Gohm]	K1
TCM0605S-120-2P-T201	95	1.7	0.01	644	18.3	0.065	0.279	1	0.26	1	1.00000
TCM0605S-350-2P-T201	45	2.2	0.01	2,030	56.2	0.061	1.063	1	0.37	1	1.00000