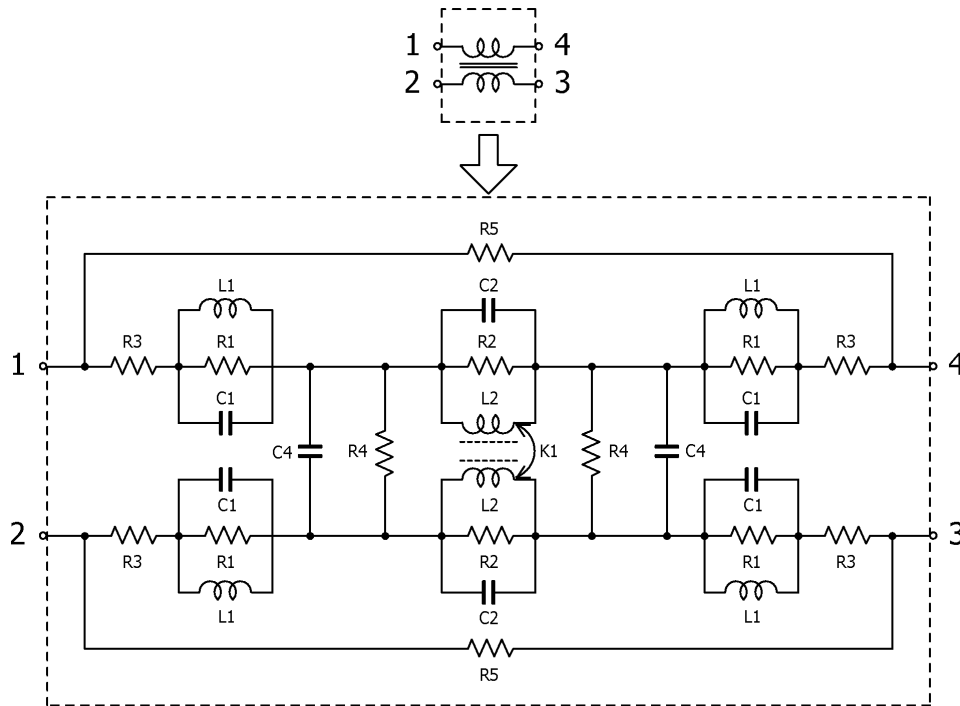


Signal Line Common Mode Chokes/Filters

May 23, 2024
Simple Model

Commercial Grade for Signal Line (2 Lines) / TCM0605T series

Circuit Diagram



Circuit Parameters

Part No.	R1[ohm]	L1[nH]	C1[pF]	R2[ohm]	L2[nH]	C2[pF]	R3[ohm]	R4[Gohm]	C4[pF]	R5[Gohm]	K1
TCM0605T-080-2P-T201	56	2.1	0.01	10,300	10.00	0.054	0.994	1	0.37	1	1.00000
TCM0605T-200-2P-T201	392	2.8	0.01	16,900	28.7	0.075	1.665	1	0.32	1	1.00000